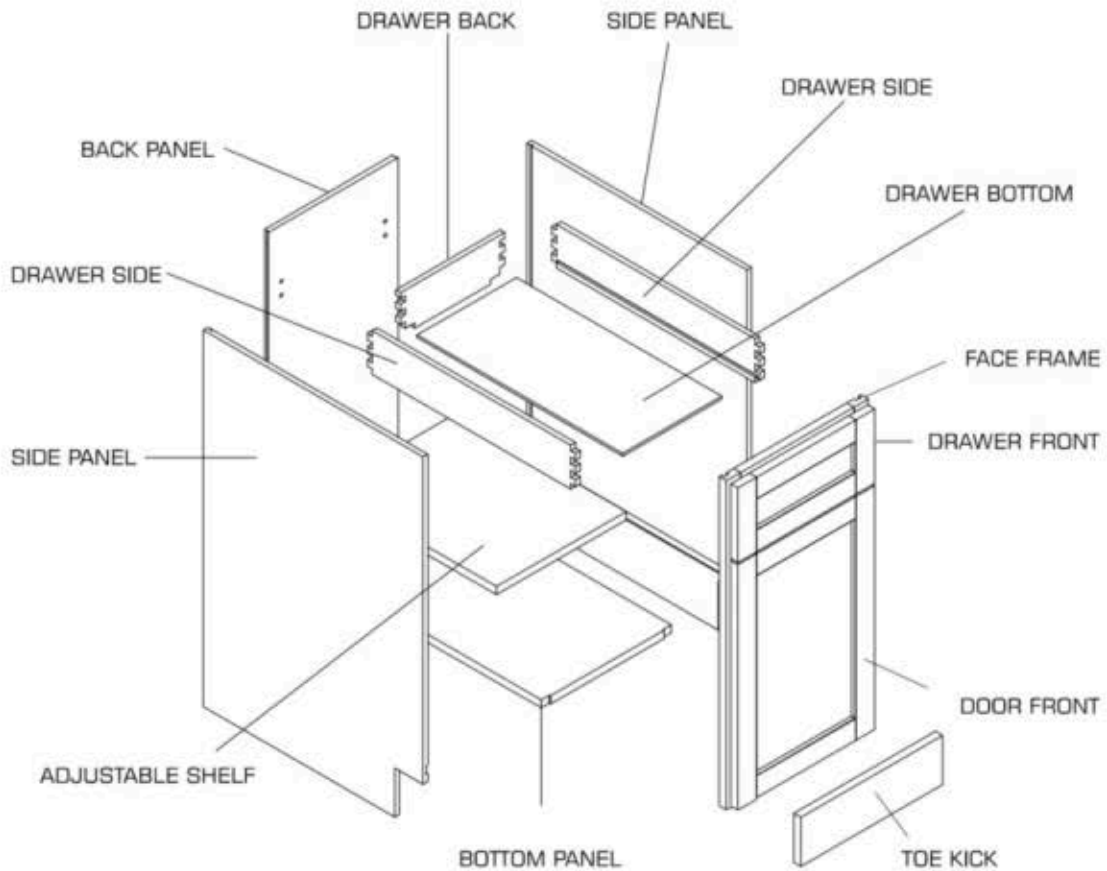










ASSEMBLING INSTRUCTIONS - BASE CABINET

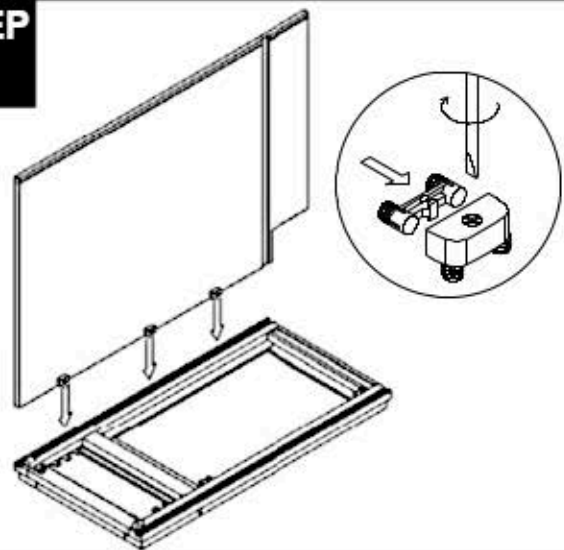
BASE CABINET



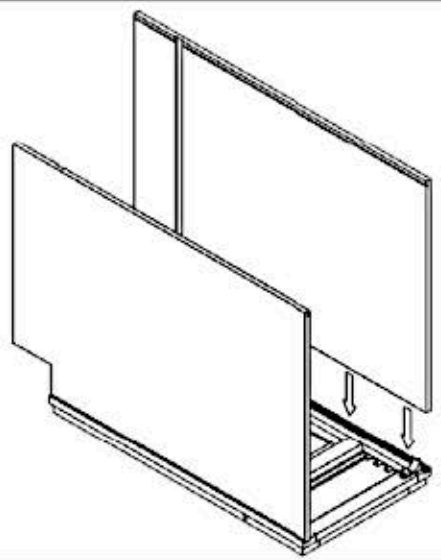
<p>GLIDES</p> 	<p>SCREWS</p> 	<p>SHELF CLIPS</p> 	<p>GLIDE SUPPORTS</p> 
---	---	---	---

TOOLS			
 SCREW DRIVER	 SCREW DRIVER	 RUBBER Mallet	 NAIL GUN

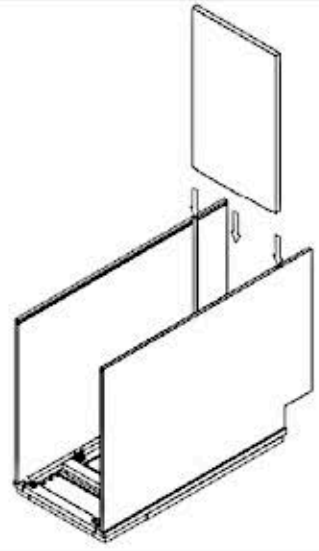
STEP 1



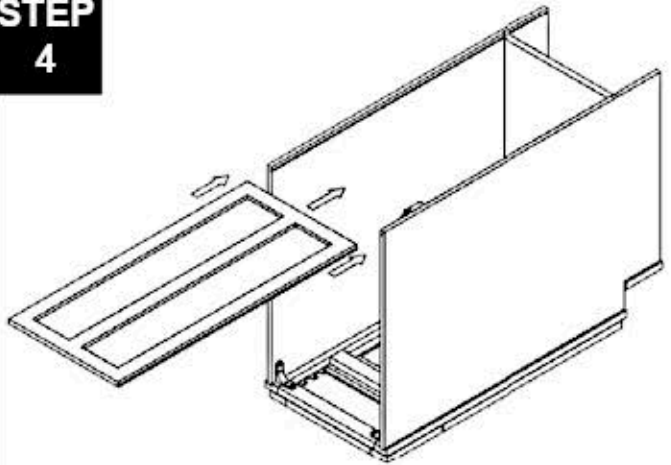
STEP 2



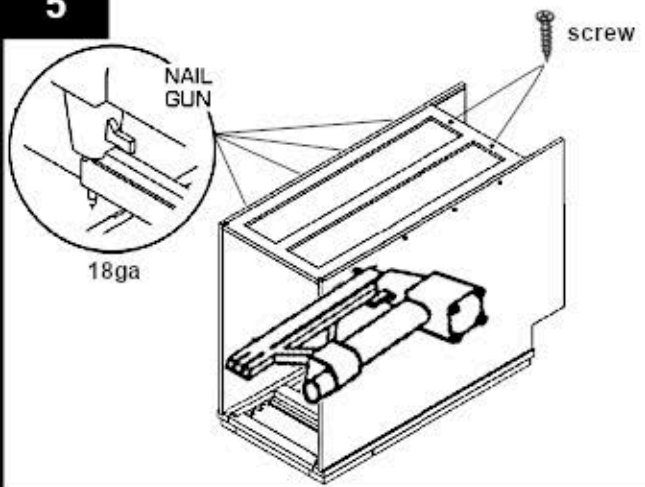
STEP 3



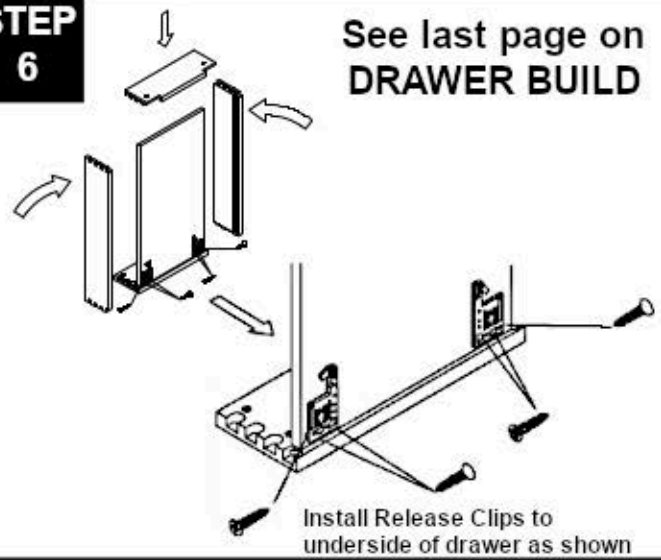
STEP 4



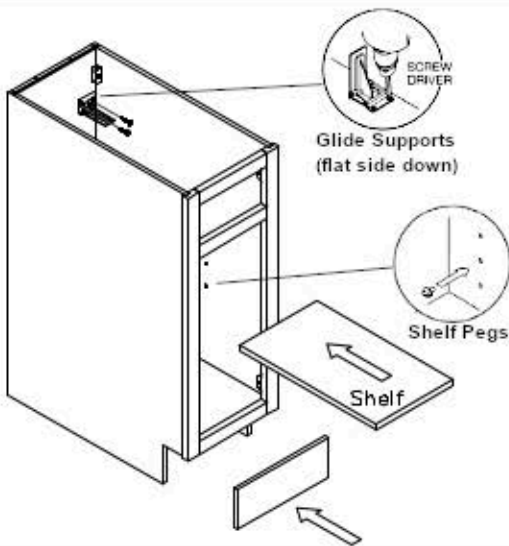
STEP 5



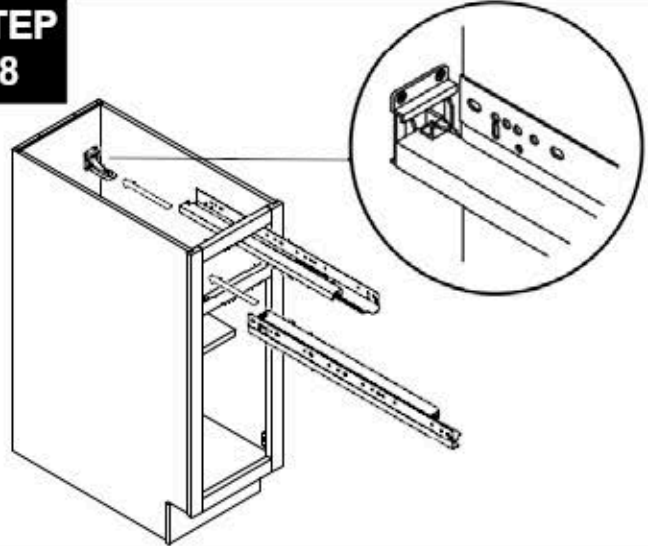
STEP 6



STEP
7

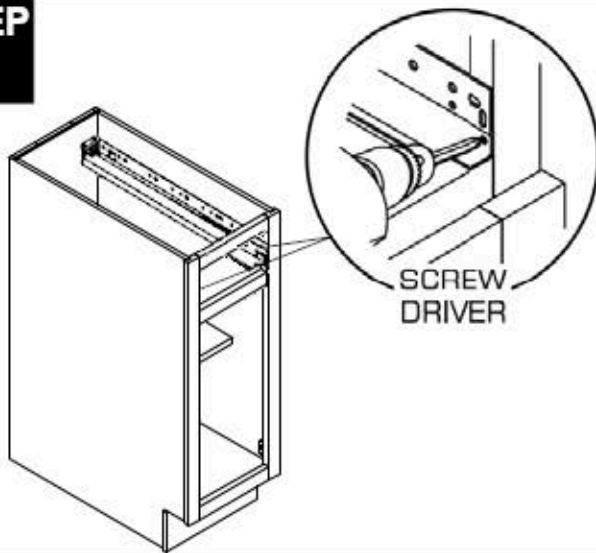


STEP
8

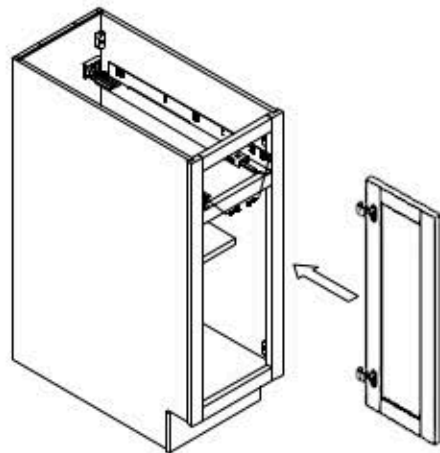


BASE CABINET

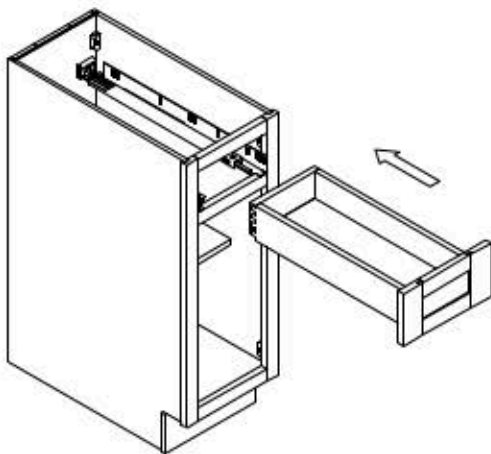
STEP
9



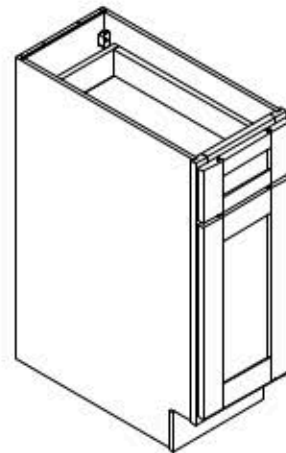
STEP
10



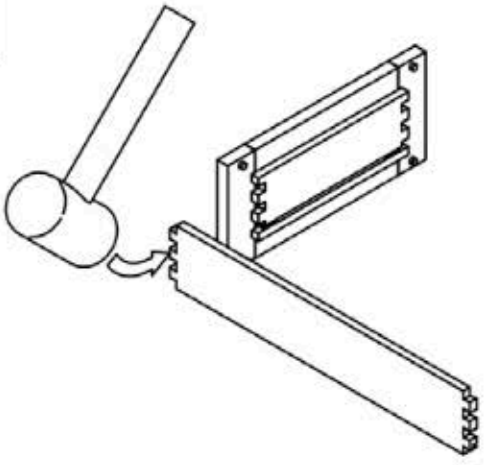
STEP
11



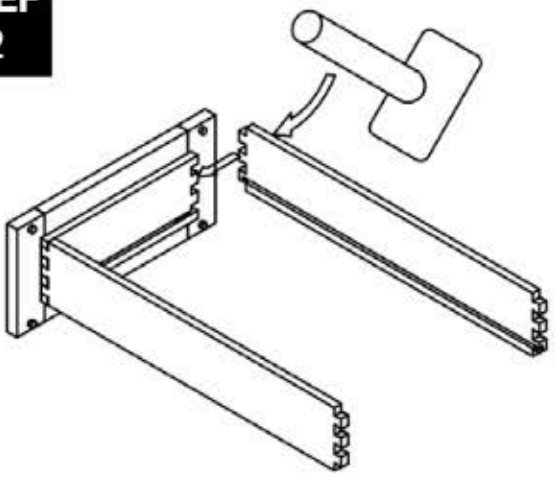
STEP
12



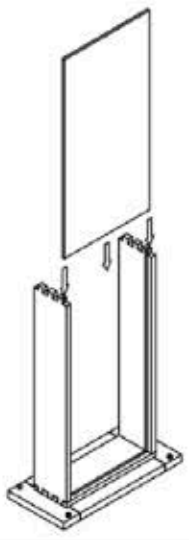
STEP 1



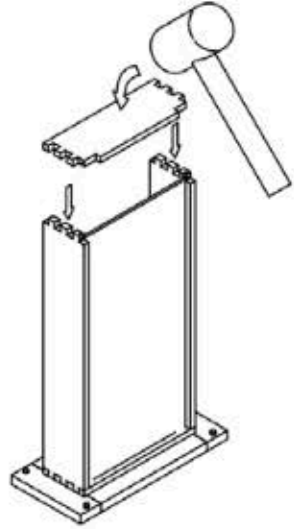
STEP 2



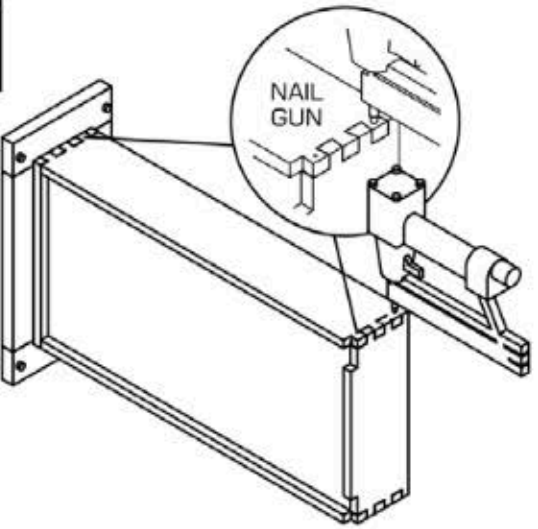
STEP 3



STEP 4



STEP 5



STEP 6

